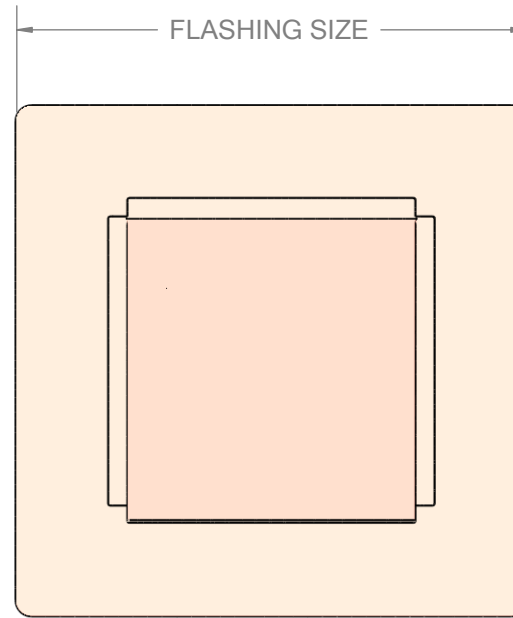
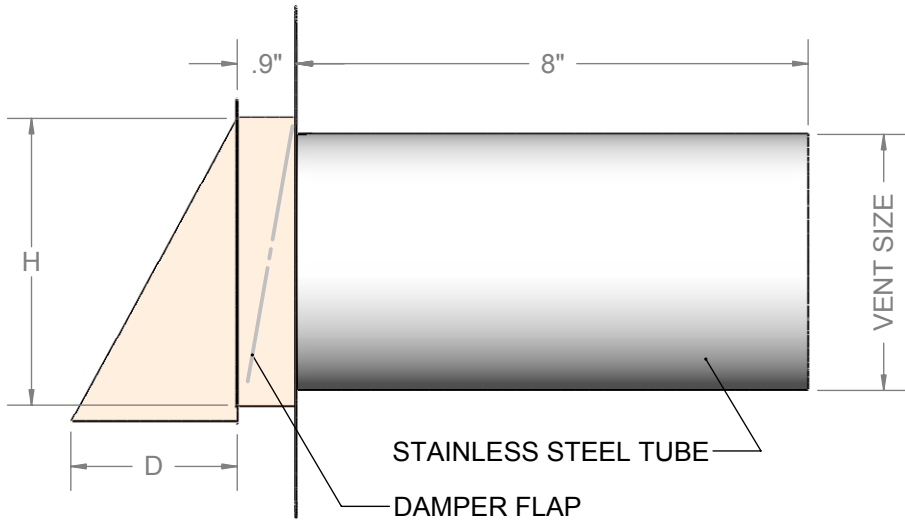
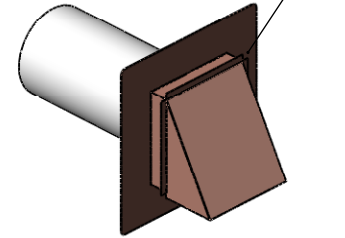


DRYER VENT

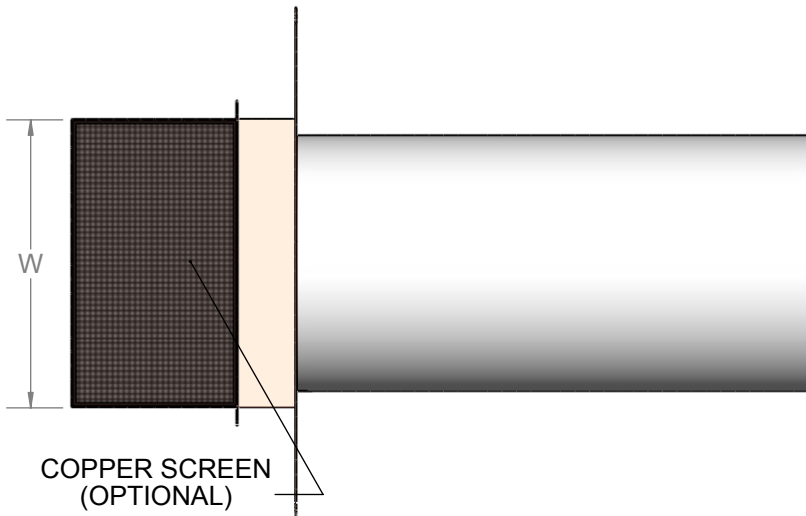
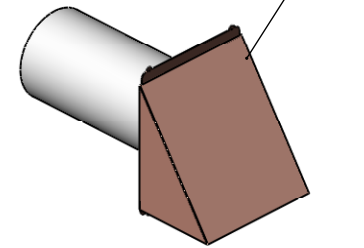
STUCCO MOUNT



J-MOLD FOR STUCCO APPLICATION



ALSO AVAILABLE:
FLUSH MOUNT FOR
BRICK APPLICATION



MATERIAL 16 oz copper

PART #	VENT SIZE	W x H x D	FREE AREA	FLASHING SIZE
WDV4-J	4"	4.5" x 4.8" x 2.6"	12 in ²	8" x 8"
WDV6-J	6"	6.7" x 6.7" x 3.7"	25 in ²	13" x 13"
WDV8-J	8"	8" x 8.2" x 5.2"	42 in ²	14" x 14"
WDV10-J	10"	11" x 11" x 5.5"	60 in ²	15" x 15"
WDV12-J	12"	13" x 13" x 6.5"	84 in ²	18" x 18"