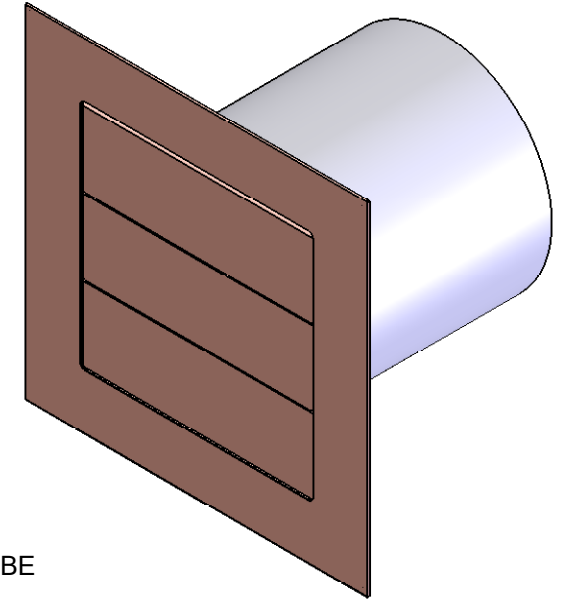
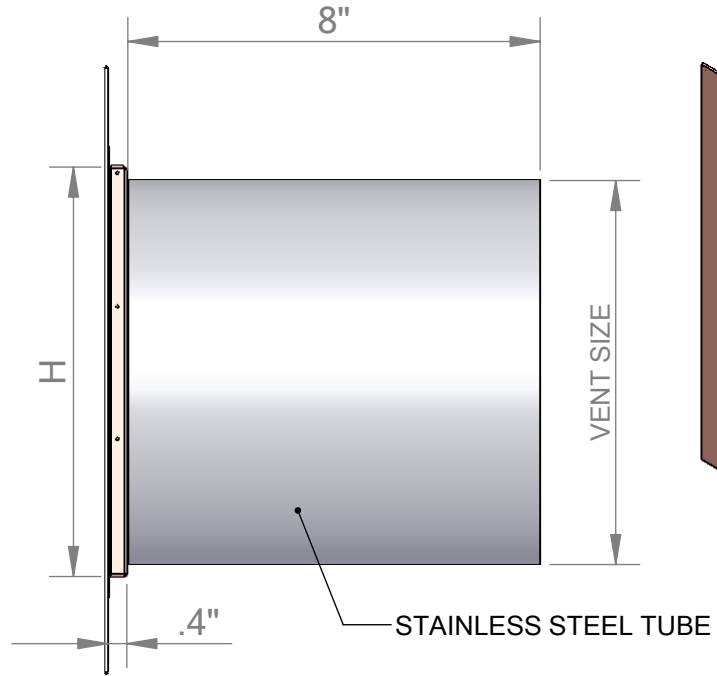
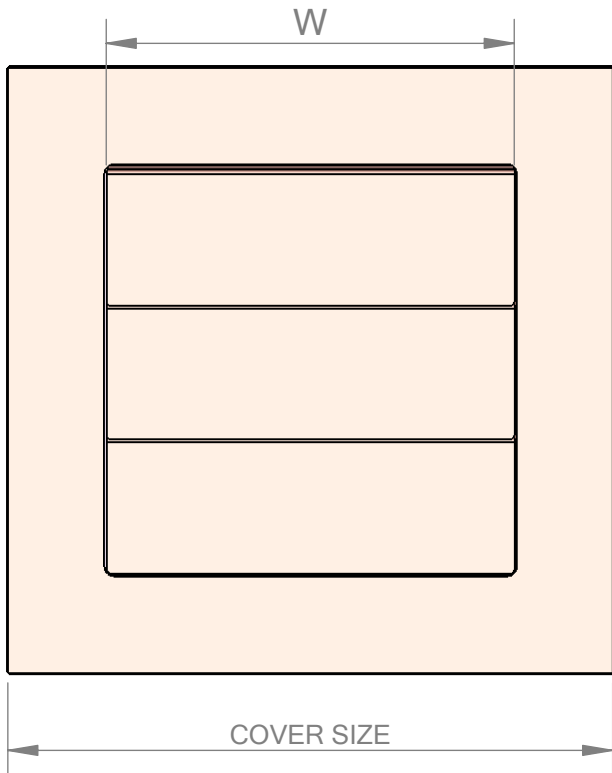


LOW PROFILE DRYER VENT FLUSH MOUNT



MATERIAL	16 oz. copper
----------	---------------

PART #	VENT SIZE	W x H	COVER SIZE
LPDV-4F	4"	4.5" x 4.5"	8.6" x 8.6"
LPDV-6F	6"	6.5" x 6.5"	10.6" x 10.6"
LPDV-8F	8"	8.5" x 8.5"	12.6" x 12.6"
LPDV-10F	10"	10.5" x 10.5"	14.6" x 14.6"
LPDV-12F	12"	12.5" x 12.5"	16.6" x 16.6"