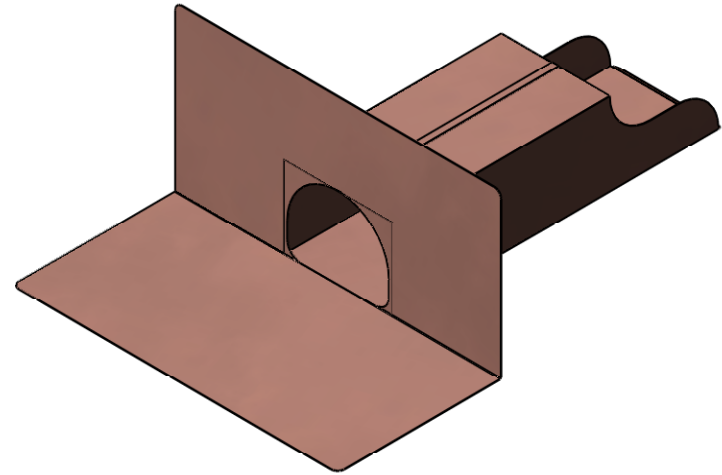
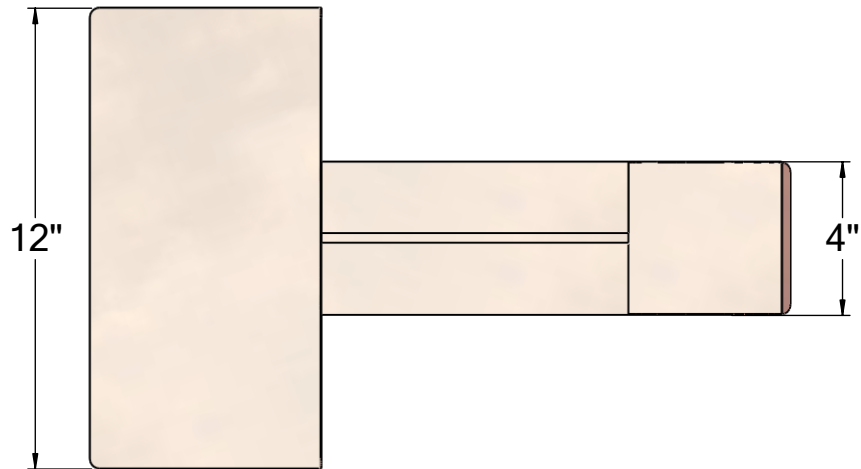
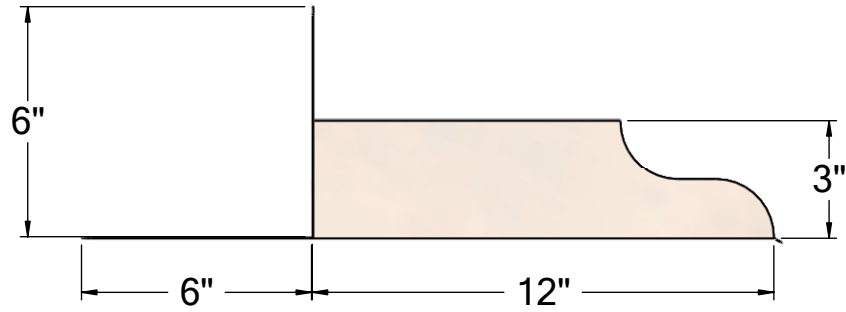


# DECORATIVE SCUPPER



MATERIAL	16 oz copper
----------	--------------